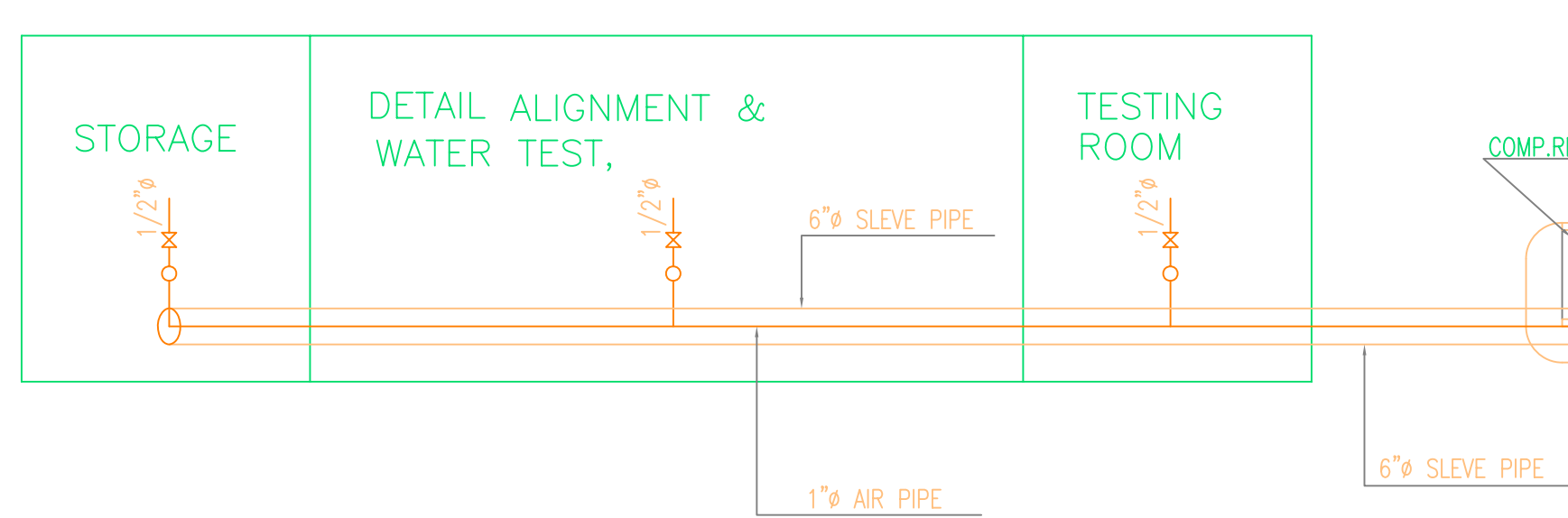
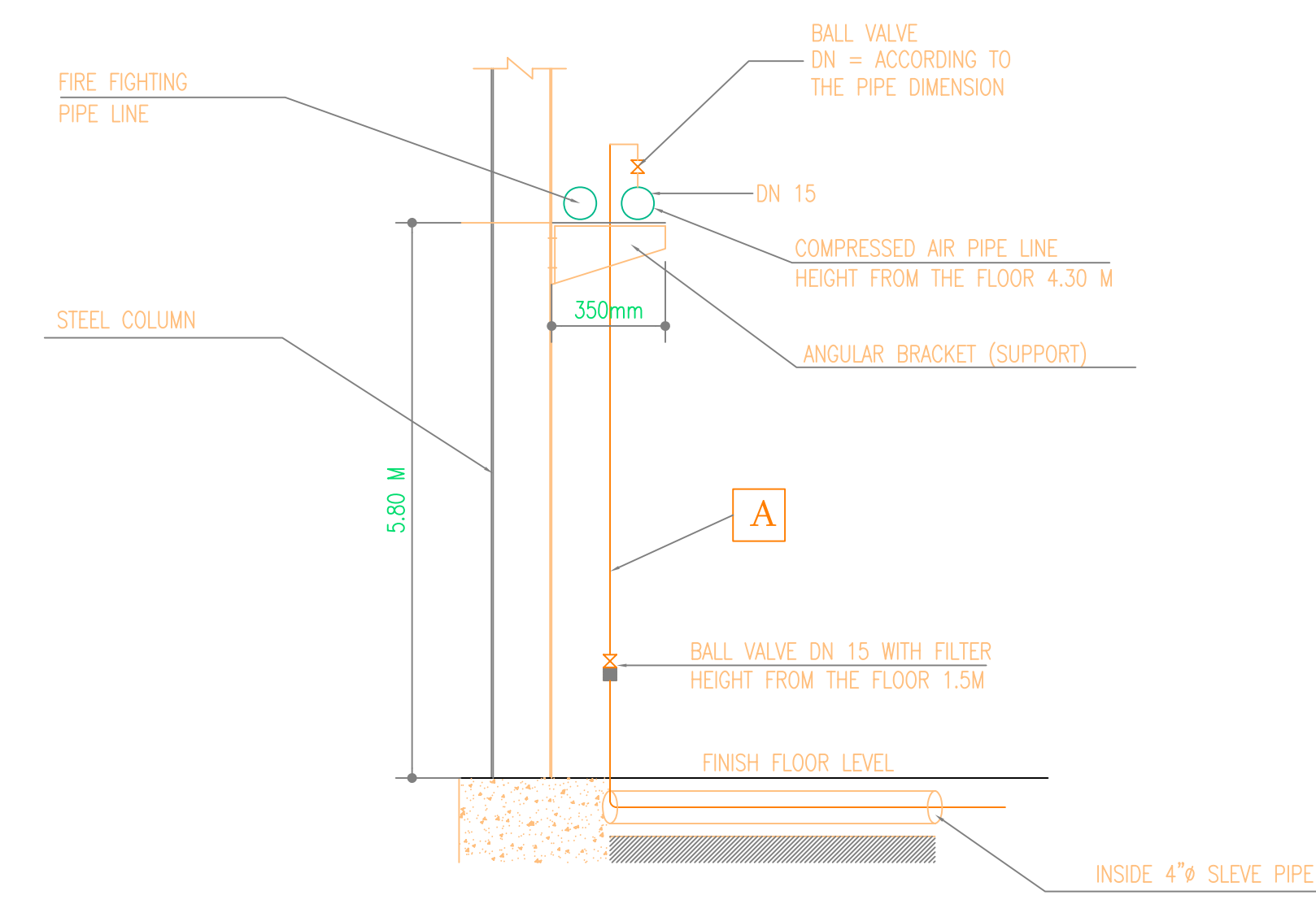


- LEGEND :**
- COMPRESSED AIR PIPE LINE ABOVE THE FINISHED FLOOR
 - PIPE RISER DOWN WITH SINGLE VALVE & OUTLET
 - PIPE RISER DOWN WITH DOUBLE VALVE & OUTLET
 - PIPE RISER DOWN FOR M/C CONNECTION
 - 1/2" DRAIN VALVE WITH HOSE
 - " 1 " CONNECTION WITH PLUG FOR FUTURE USE
 - PRESSURE GAUGE
 - AIR COMPRESSOR Q=380 FT³ /MIN (NO=2) 380V, 3φ, 60 HZ, 68 KW COMPLETE WITH FILTER AND ALL EQUIPMENTS & ACCESSORIES

- NOTES:-**
1. ALL COMPRESSED AIR PIPE LINE SHALL BE GALVANIZED STEEL PIPE (ASTM= A53) SCHEDULE 40
 2. ALL PIPES SHALL BE LAID ON HORIZONTAL JOIST BEAM.
 3. ELEVATION LEVEL OF PIPE LINE SHALL BE THE SAME ON EXISTING PIPELINE.



AIR COMPRESSOR LAYOUT
SCALE: 1:200

KINGDOM OF SAUDI ARABIA
Ministry of Defence and Aviation
Presidency of Civil Defence Aviation
International Airports Projects
King Khaled International Airport

شاهين
شاهين
jwvdP vrL gbs jHvHJ
557 / HgvdHQ
th;S W 793809J

SHAHIN ENGINEERING CONSULTANTS
RIYADH TEL. 4783605

DAR AL BUNYAN
Consulting Engineers
P.O. BOX 30775 RIYADH 11513
TEL: (966)-011-5717100 FAX: (966)-011-5717104

NAME OF PROJECT: Monofeth Ambulance and Handicap Vehicles L.L.C.

AIR COMPRESSOR LAYOUT COMP-1

PROJECT NO.	SCALE	DATE	TOTAL SHEETS
	1 : 200	03-10-04	

drawn by : momin